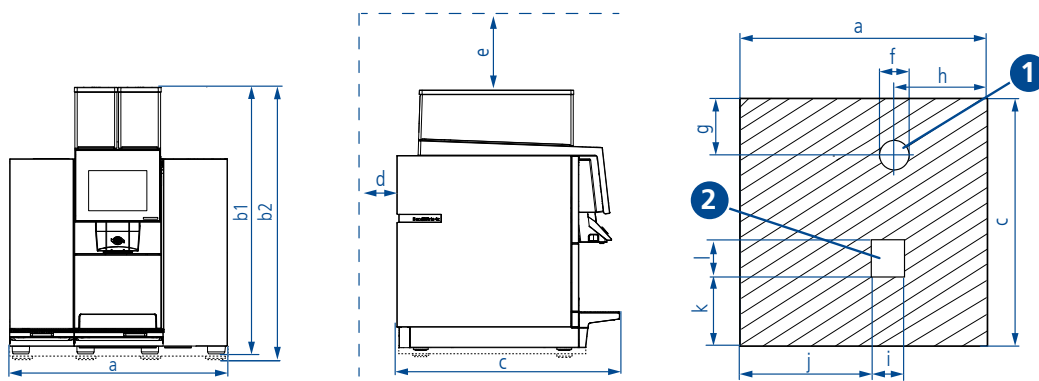


## 7 BW4c-CTM-F-RS (CE / USA/CA)



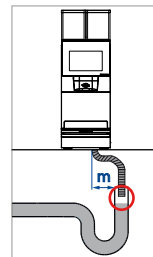
1 Cut-out for water/milk inlet and water drain.  
Also possible for mains cable.

2 Cut-out for grounds ejection.

|           |  |          |                   |          |                  |          |                   |
|-----------|--|----------|-------------------|----------|------------------|----------|-------------------|
| <b>a</b>  | 568 mm / 22.36 in                                    | <b>c</b> | 600 mm / 23.62 in | <b>f</b> | 70 mm / 2.76 in  | <b>i</b> | 50 mm / 1.97 in   |
| <b>b1</b> | CE: 646 mm / 25.43 in<br>(feet: 57 mm / 2.24 in)     | <b>d</b> | 50 mm / 1.97 in   | <b>g</b> | 150 mm / 5.91 in | <b>j</b> | 334 mm / 13.15 in |
| <b>b2</b> | USA/CA: 676 mm / 26.61 in<br>(feet: 87 mm / 3.43 in) | <b>e</b> | 350 mm / 13.78 in | <b>h</b> | 245 mm / 9.65 in | <b>k</b> | 248 mm / 9.76 in  |
|           |  |          |                   |          |                  | <b>l</b> | 70 mm / 2.76 in   |

### Drain

- **m**: Distance from machine to drain < 1000 mm / 39.37 in.
- Drain line (hose) not sagging.
- No back pressure in the water line.
- The end of the line not submerged in water.



| Machine parameters               |   | Water connection specifications |                       |
|----------------------------------|---|---------------------------------|-----------------------|
| <b>Connection / power CE</b>     | 220-240 VAC / 50/60 Hz<br>2750-3150 W / 13 A  | <b>Water supply</b>             | 3/8"                  |
| <b>Connection / power USA/CA</b> | 208 VAC / 60 Hz<br>2750 W / 13 A  | <b>Dynamic water pressure</b>   | 2-4 bar<br>29-58 psi  |
| <b>Outlet height</b>             | 85-175 mm (manual) /<br>100-190 mm (autom.)<br>3.35-6.89 in (manual) /<br>3.94-7.48 in (autom.) | <b>Water boiler pressure</b>    | 11.7 bar<br>169.6 psi |
| <b>Weight</b>                    | 66 kg<br>145.5 lbs  | <b>Chlorine</b>                 | None                  |
|                                  |   | <b>TDS</b>                      | 70-200 ppm            |
|                                  |   | <b>Total hardness</b>           | 5-8 °dH / 8-14 °fH    |
|                                  |   | <b>pH</b>                       | 6.8-7.4               |
|                                  |   | <b>Alkalinity</b>               | <100 ppm              |
|                                  |   | <b>Iron</b>                     | <0.25 ppm             |