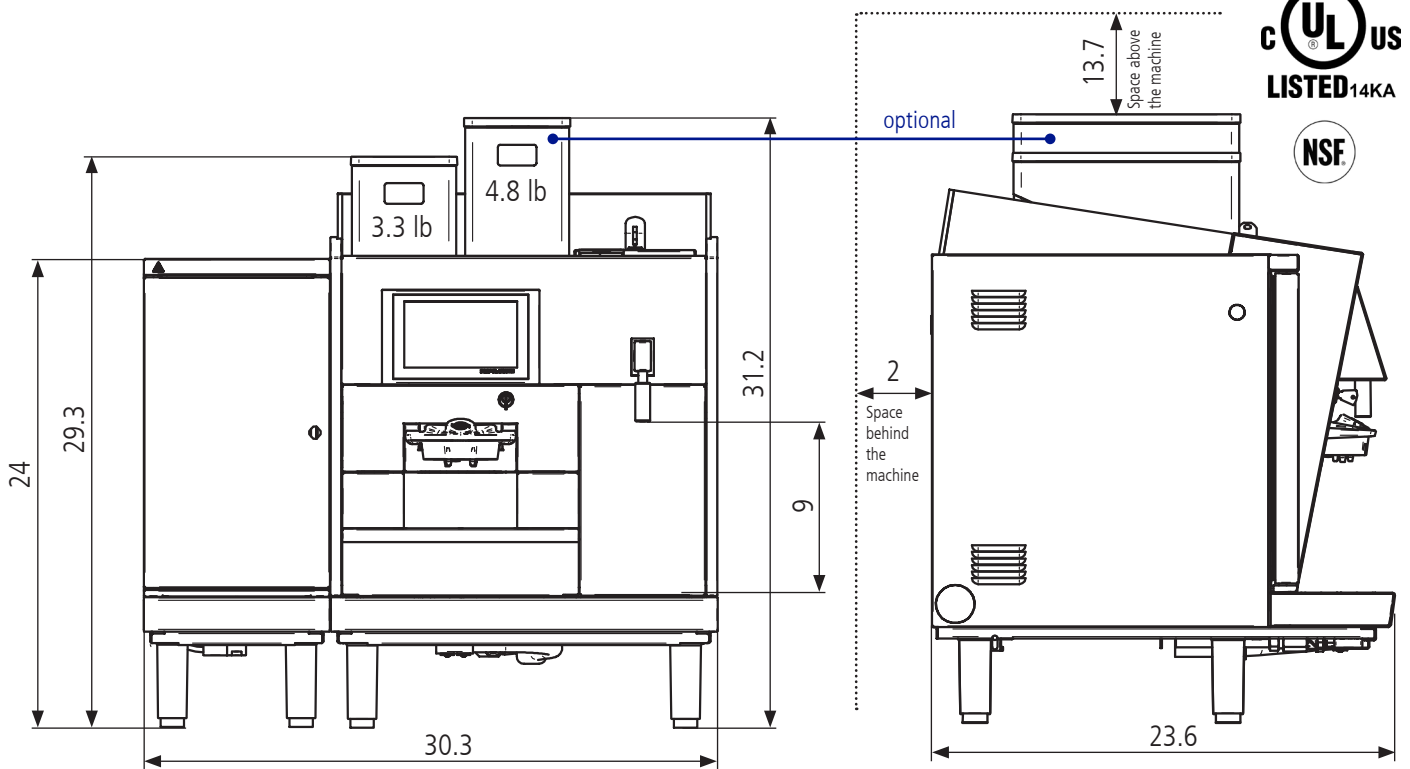


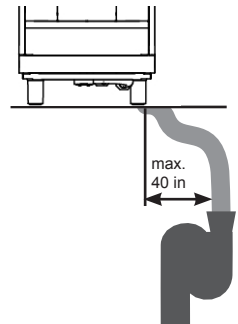
Cut sheet CBTM (USA / CAN)



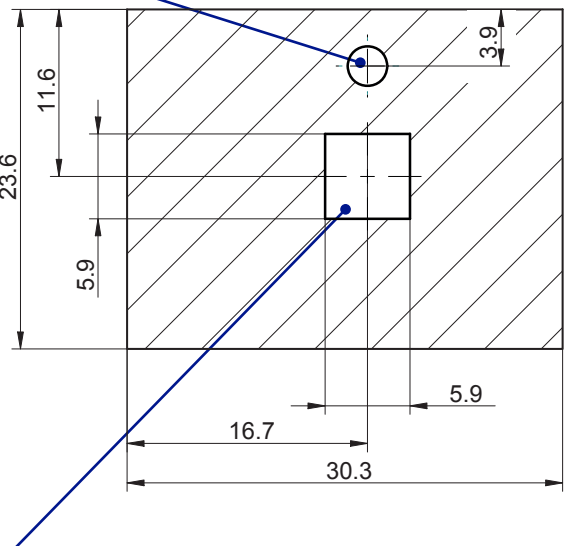
Automatic coffee machine Black&White 3 CBTM	
Connection	208 VAC 15 A 60 Hz Refrigerator: 100-120 VAC 0.7A 50/60 Hz
Output	3150 W Refrigerator: 78 W
Dimensions	30.3 x 23.6 x 29.3 (31.2) in (W / D / H)
Coffee spout height standard	3.1-6.8 in
Weight	207.2 lb

Drainage

The distance between the drain and the machine must not be more than 40 in. Make sure there is no dip or any back pressure in the drain hose. The end of the hose must not be in the water.



Hole diameter 2.7 in for water inlet and outlet. Also possible for electric cords.



Hole 5.9 x 5.9 in for coffee grounds drawer. Special grounds drawer needed.

Water connection	3/8"				
Water pressure	2-4 bar / 30-60 psi				
Chlorine	none				
TDS	70-200 ppm				
Hardness	5-8 °dH (8 - 14 °fH)				
pH	6.8-7.4				
Alkalinity	less than 100 ppm				
Iron	less than 0.25 ppm				

Conversion table water hardness:

Water hardness	DE	FR	EN	Ppm	Mval/l
1° dH	1.0	1.79	1.25	17.8	0.357
1° fH	0.56	1.0	0.7	10.0	0.2
1° e	0.8	1.43	1.0	14.3	0.86
1° ppm	0.056	0.1	0.07	1.0	0.02
1 mval/l	2.8	5.0	3.5	50.0	1.0

For more information see Technical Manual.