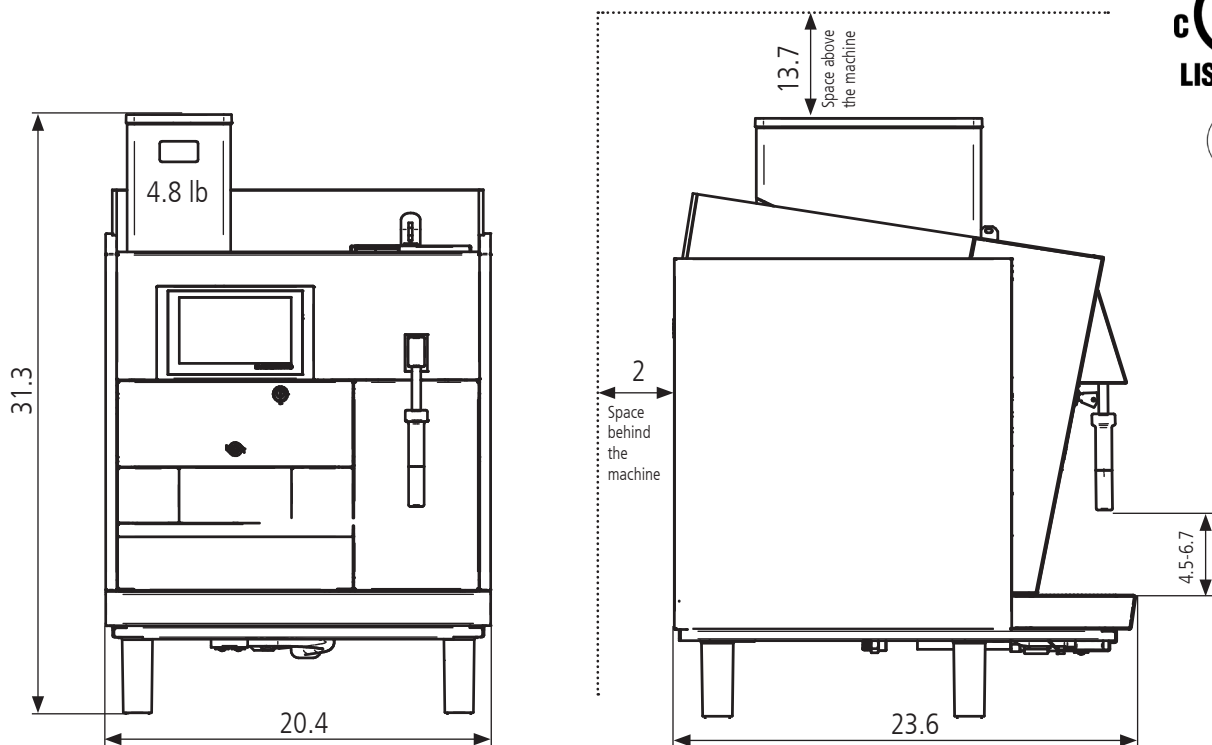


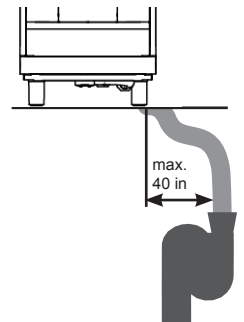
Datenblatt B (USA / CAN)



Automatic coffee machine Black&White 3 B	
Connections	208 VAC 15 A 60 Hz
Output	3150 W
Dimensions	20.4 x 23.6 x 31.3 in (W / D / H)
Coffee spout height standard	3.14-6.8 in
Weight	137.8 lb

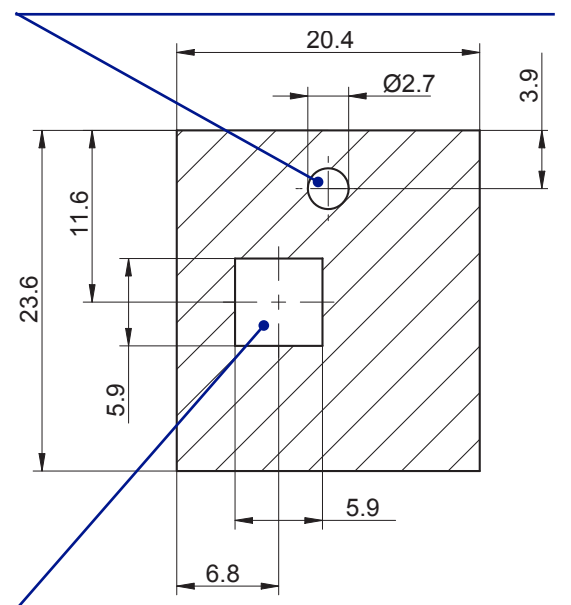
Drainage

The distance between the drain and the machine must not be more than 40 in. Make sure there is no dip or any back pressure in the drain hose. The end of the hose must not be in the water.



Water connection	3/8"
Water pressure	2-4 bar / 30-60 psi
Chlorine	none
TDS	70-200 ppm
Hardness	5-8 °dH (8-14° H)
pH	6.8-7.4
Alkalinity	less than 100 ppm
Iron	less than 0.25 ppm

Hole diameter 2.7 in for water inlet and outlet.
Also possible for electric cords.



Hole 5.9 x 5.9 in for coffee grounds drawer.
Special grounds drawer needed.

Conversion table water hardness:

Water hardness	DE	FR	EN	Ppm	Mval/l
1° dH	1.0	1.79	1.25	17.8	0.357
1° fH	0.56	1.0	0.7	10.0	0.2
1° e	0.8	1.43	1.0	14.3	0.86
1° ppm	0.056	0.1	0.07	1.0	0.02
1 mval/l	2.8	5.0	3.5	50.0	1.0

For more information see Technical Manual.