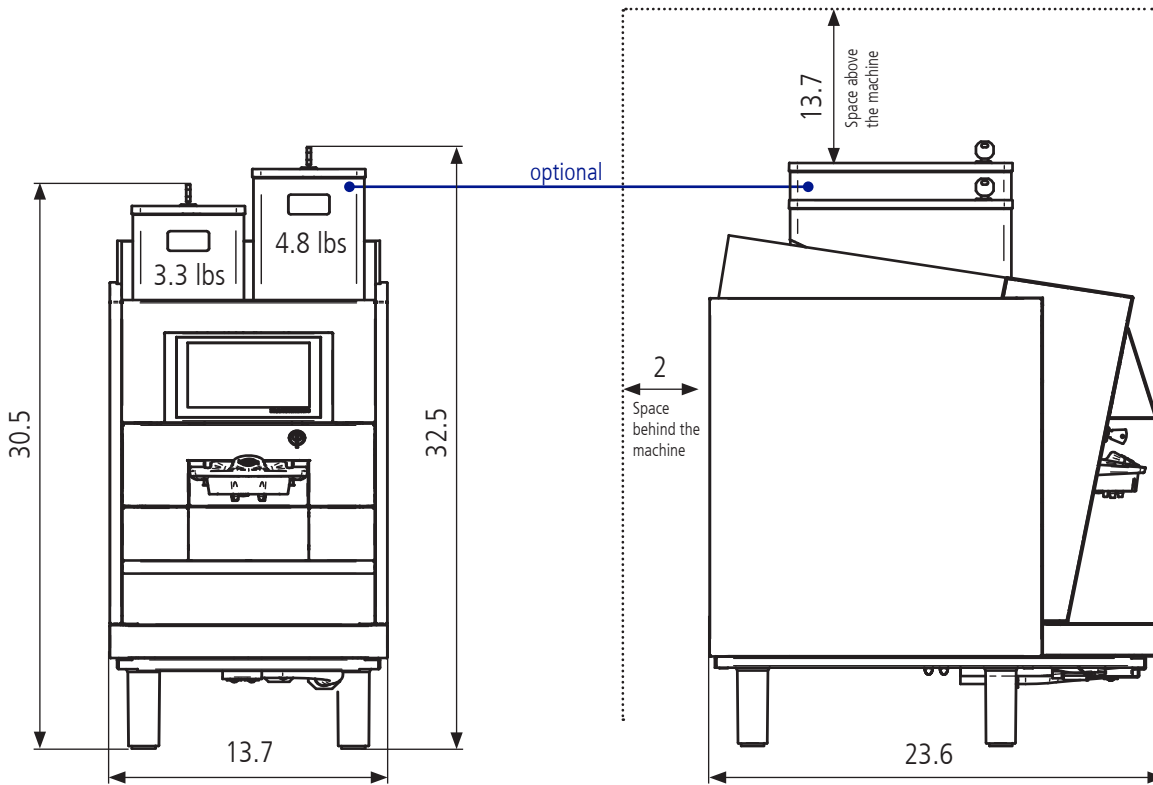


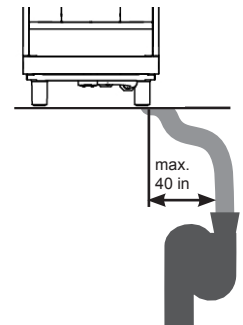
Cut sheet CTM without refrigerator (USA / CAN)



Automatic coffee machine Black&White 3 CTM without RF	
Connections	208 VAC 13.5 A 60 Hz
Output	2800 W
Dimensions	13.7 x 23.6 x 30.5 (32.5) mm (W / D / H)
Coffee spout height standard	3.14-6.8 in
Weight	212 lbs

Drainage

The distance between the drain and the machine must not be more than 1 m. Make sure there is no dip or any back pressure in the drain hose. The end of the hose must not be in the water.



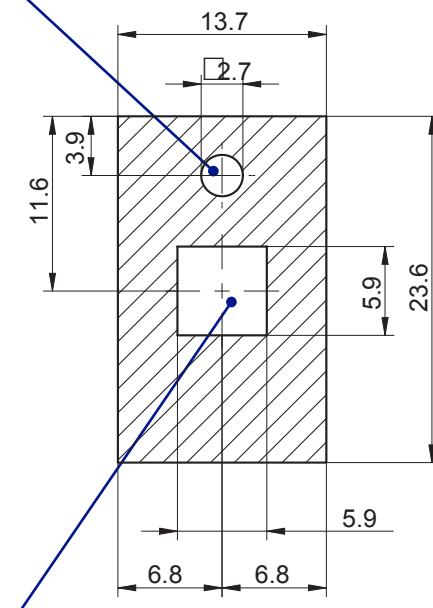
Water connection	3/8"
Water pressure	2-4 bar / 30 -60 psi
Chlorine	none
TDS	70-200 ppm
Hardness	5-8 °dH (8-14 °fH)
pH	6.8-7.4
Alkalinity	less than 100 ppm
Iron	less than 0.25 ppm

Conversion table water hardness:

Water hardness	DE	FR	EN	Ppm	Mval/l
1° dH	1.0	1.79	1.25	17.8	0.357
1° fH	0.56	1.0	0.7	10.0	0.2
1° e	0.8	1.43	1.0	14.3	0.86
1° ppm	0.056	0.1	0.07	1.0	0.02
1 mval/l	2.8	5.0	3.5	50.0	1.0

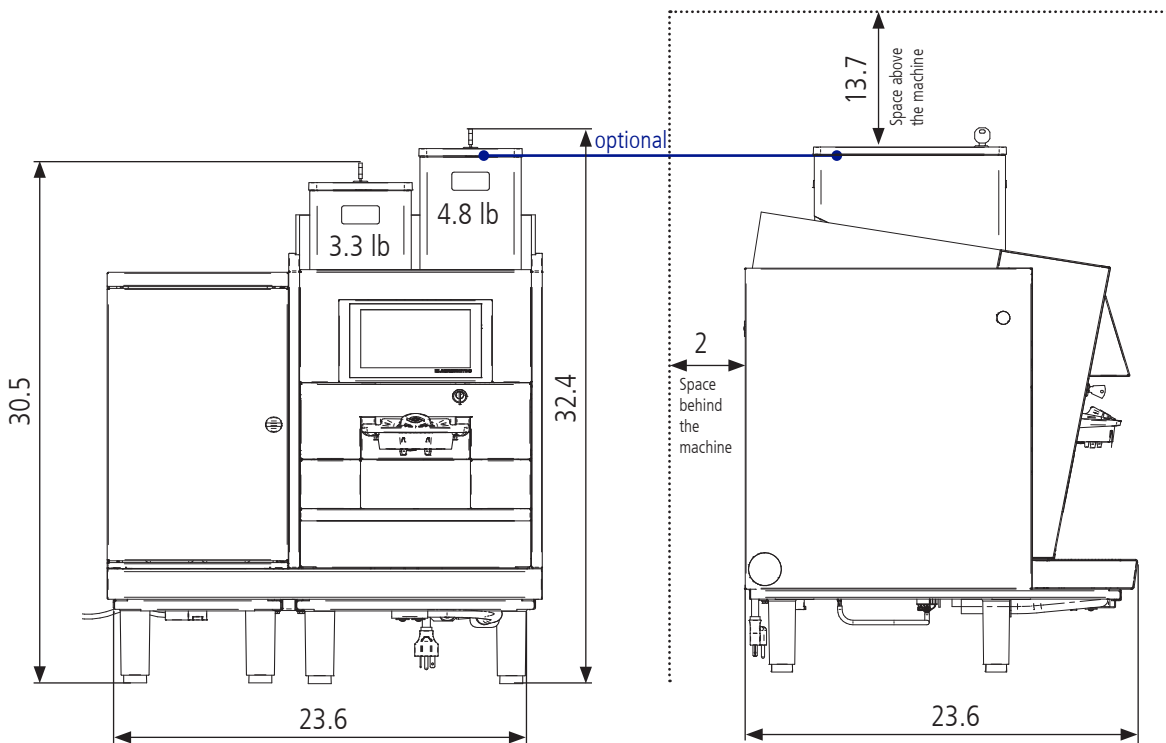
For more information see Technical Manual.

Hole diameter 70mm for water inlet and outlet. Also possible for electric cords.



Hole 150 x 150mm for coffee grounds drawer. Special grounds drawer needed.

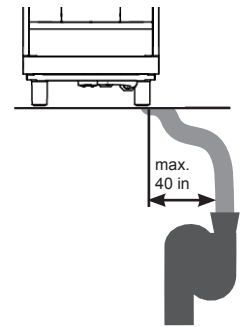
Cut sheet CTM-RF (USA / CAN)



Automatic coffee machine Black&White 3 CTM-RF	
Connections	208 VAC 13.5 A 60 Hz Refrigerator: 100-120 VAC 0.7 A 50/60 Hz
Output	2800 W Refrigerator: 78 W
Dimensions	23.6 x 23.6 x 30.5 (32.4) in (W / D / H)
Coffee spout height standard	3.14-6.8 in
Weight	170 lb

Drainage

The distance between the drain and the machine must not be more than 40 in. Make sure there is no dip or any back pressure in the drain hose. The end of the hose must not be in the water.



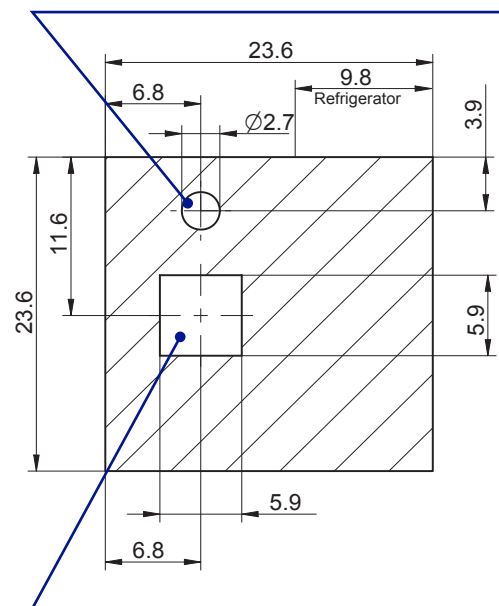
Water connection	3/8"
Water pressure	2-4 bar / 30-60 psi
Chlorine	none
TDS	70-200 ppm
Hardness	5-8 °dH (8-14 °fH)
pH	6.8-7.4
Alkalinity	less than 100 ppm
Iron	less than 0.25 ppm

Conversion table water hardness:

Water hardness	DE	FR	EN	Ppm	Mval/l
1° dH	1.0	1.79	1.25	17.8	0.357
1° fH	0.56	1.0	0.7	10.0	0.2
1° e	0.8	1.43	1.0	14.3	0.86
1° ppm	0.056	0.1	0.07	1.0	0.02
1 mval/l	2.8	5.0	3.5	50.0	1.0

For more information see Technical Manual.

Hole diameter 2.7 in for water inlet and outlet.
Also possible for electric cords.



Hole 5.9 x 5.9 in for coffee grounds drawer.
Special grounds drawer needed.