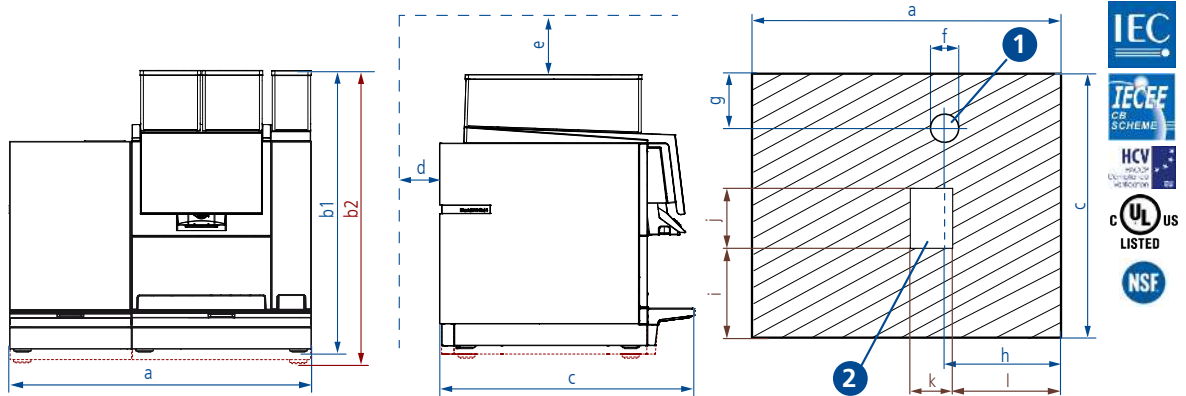


5 BW4-CTM-P-RL (CE / UL)



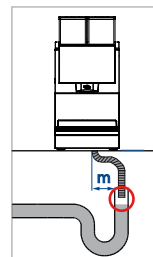
1 Hole diameter 70 mm / 2.75 in for water/milk inlet and water outlet. Also possible for power cable.

2 Cut-out grounds chute

a	692 mm / 27.24 in	c	600 mm / 23.62 in	f	70 mm / 2.75 in	i	213 mm / 8.38 in
b1	CE: 646 mm / 25.43 in (feet: 57 mm / 2.24 in) or optional 676 mm / 26.61 in (feet: 87 mm / 3.42 in)	d	50 mm / 1.96 in	g	150 mm / 5.9 in	j	106 mm / 4.17 in
b2	UL: 676 mm / 26.61 in (feet: 87 mm / 3.42 in)	e	350 mm / 13.77 in	h	252 mm / 9.92 in	k	63 mm / 2.48 in
						l	238 mm / 9.37 in

Drain

- m: Distance machine to drain < 1000 mm / 39.37 in.
- Drain pipe (hose) not sagging.
- No back pressure in the water line.
- End of hose must not be in water.



Machine parameters			Water connection specifications	
Connection / Power CE	Machine with one phase (limited power):	220-240 VAC / 50-60 Hz 3100-3700 W / 16 A	Water supply	3/8"
	Machine with one phase:	220-240 VAC / 50-60 Hz 5800-7100 W / 32 A	Dynamic water pressure	2-4 bar 30-60 psi
	Machine with three phases:	380-415 VAC / 50-60 Hz 5800-7100 W / 3 x 16 A	Water boiler pressure	11.7 bar 169.6 spi
Connection / Power UL		208 VAC / 60 Hz 5700 W / 27 A	Steam boiler pressure	2.6 bar 37.7 psi
Outlet height	85-172 mm (manual) / 96-192 mm (autom.) 3.34-6.77 in (manual) / 3.77-7.55 in (autom.)		Chlorine TDS	None
Weight	90 kg / 198.41 lbs		Total hardness	70-200 ppm
			pH	5-8 °dH / 8-14 °fH
			Alkalinity	6.8-7.4
			Iron	<100 ppm <0.25 ppm