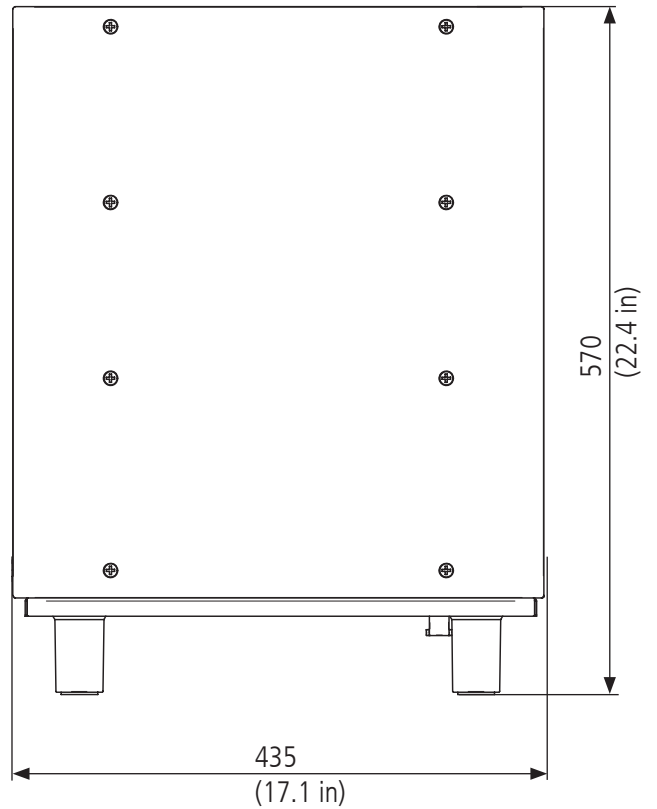
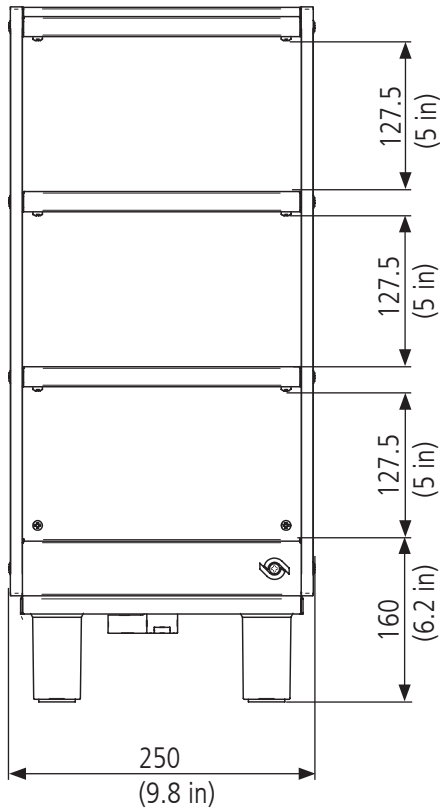


Cut sheet CH (Cup heater)



| Cup heater Black&White 3 CH |                                                                                                                                                                                      |
|-----------------------------|--------------------------------------------------------------------------------------------------------------------------------------------------------------------------------------|
| Capacity                    | Holds 100 to 150 cups                                                                                                                                                                |
| Connections                 | 220-240 VAC   0.5 A   50/60 Hz<br>100-120 VAC   0.7 A   50/60 Hz                                                                                                                     |
| Output                      | 90-110 W<br>85 W                                                                                                                                                                     |
| Dimensions                  | 250 x 435 x 565 mm (W / D / H)<br>9.8 x 17.1 x 22.4 in (W / D / H)<br><br>Optional with higher feet (USA / CAN):<br>250 x 435 x 610 mm (W / D / H)<br>9.8 x 17.1 x 24 in (W / D / H) |
| Weight                      | 17 kg<br>37.4 lb                                                                                                                                                                     |

For more information see Technical Manual.