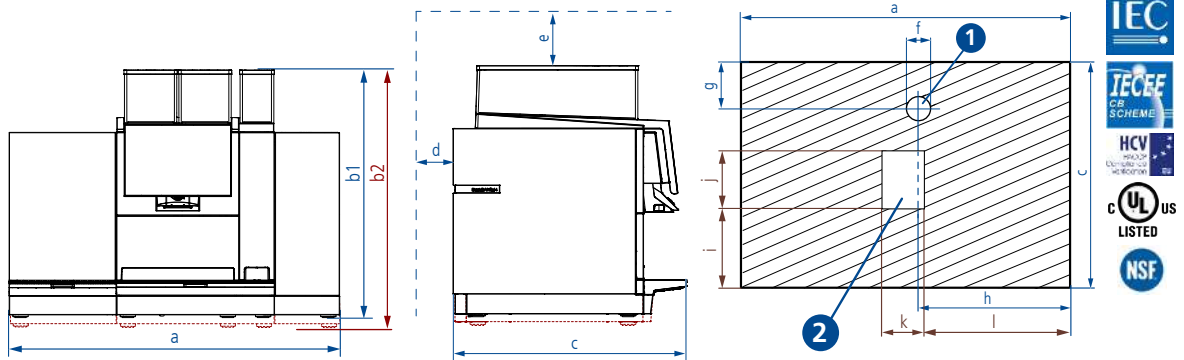


# 9 BW4-CTM-P-F-RL (CE / UL)

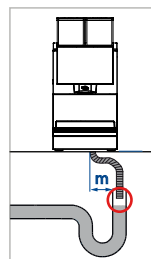


- 1** Hole diameter 70 mm / 2.75 in for water/milk inlet and water outlet. Also possible for power cable.
- 2** Cut-out grounds chute

<b>a</b>	860 mm / 33.85 in	<b>c</b>	600 mm / 23.62 in	<b>f</b>	70 mm / 2.75 in	<b>i</b>	213 mm / 8.38 in
<b>b1</b>	CE: 646 mm / 25.43 in (feet: 57 mm / 2.24 in) or optional 676 mm / 26.61 in (feet: 87 mm / 3.42 in)	<b>d</b>	50 mm / 1.96 in	<b>g</b>	150 mm / 5.9 in	<b>j</b>	106 mm / 4.17 in
<b>b2</b>	UL: 676 mm / 26.61 in (feet: 87 mm / 3.42 in)	<b>e</b>	350 mm / 13.77 in	<b>h</b>	420 mm / 16.53 in	<b>k</b>	63 mm / 2.48 in
						<b>l</b>	406 mm / 15.08 in

### Drain

- m: Distance machine to drain < 1000 mm / 39.37 in.
- Drain pipe (hose) not sagging.
- No back pressure in the water line.
- End of hose must not be in water.



Machine parameters			Water connection specifications	
<b>Connection / Power CE</b>	Machine with one phase (limited power):	220-240 VAC / 50-60 Hz 3100-3700 W / 16 A	<b>Water supply</b>	3/8"
	Machine with one phase:	220-240 VAC / 50-60 Hz 5800-7100 W / 32 A	<b>Dynamic water pressure</b>	2-4 bar 30-60 psi
	Machine with three phases:	380-415 VAC / 50-60 Hz 5800-7100 W / 3 x 16 A	<b>Water boiler pressure</b>	11.7 bar 169.6 spi
<b>Connection / Power UL</b>		208 VAC / 60 Hz 5700 W / 27 A	<b>Steam boiler pressure</b>	2.6 bar 37.7 psi
<b>Outlet height</b>	85-172 mm (manual) / 96-192 mm (autom.) 3.34-6.77 in (manual) / 3.77-7.55 in (autom.)		<b>Chlorine TDS</b>	None 70-200 ppm
<b>Weight</b>	105 kg / 231.48 lbs		<b>Total hardness</b>	5-8 °dH / 8-14 °fH
			<b>pH</b>	6.8-7.4
			<b>Alkalinity</b>	<100 ppm
			<b>Iron</b>	<0.25 ppm