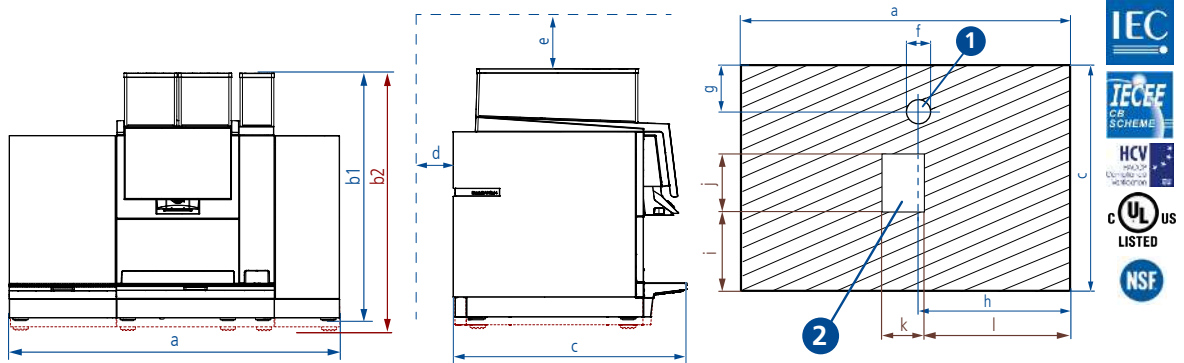


9 BW4-CTM-P-F-RL (CE / UL)

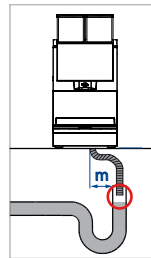


1 Hole diameter of 70 mm / 2.75 in for water/milk inlet and water drain. Also possible for power cord. **2** Cut-out for grounds ejection drain.

| | | | | | | | |
|-----------|---|----------|-------------------|----------|-------------------|----------|-------------------|
| a | 860 mm / 33.85 in | c | 600 mm / 23.62 in | f | 70 mm / 2.75 in | i | 213 mm / 8.38 in |
| b1 | CE: 646 mm / 25.43 in (feet: 57 mm / 2.24 in) or optionally 676 mm / 26.61 in (feet: 87 mm / 3.42 in) | d | 50 mm / 1.96 in | g | 150 mm / 5.9 in | j | 106 mm / 4.17 in |
| b2 | UL: 676 mm / 26.61 in (feet: 87 mm / 3.42 in) | e | 350 mm / 13.77 in | h | 420 mm / 16.53 in | k | 63 mm / 2.48 in |
| | | | | | | l | 406 mm / 15.08 in |

Drain

- m: Distance of machine to drain < 1000 mm / 39.37 in.
- Drain line (hose) not sagging.
- No back pressure in the water line.
- The end of the line not submerged in water.



| Machine parameters | | | Water connection specifications | |
|------------------------------|--|--|---------------------------------|-----------------------|
| Connection / power CE | Machine with single phase (limited performance): | 220-240 VAC / 50-60 Hz 3100-3700 W / 16 A 220-240 VAC / 50-60 Hz 2700-3100 W / 13 A | Water supply | 3/8" |
| | Machine with single phase: | 220-240 VAC / 50-60 Hz 5800-7100 W / 32 A | Dynamic water pressure | 2-4 bar 30-60 psi |
| | Machine with three phases: | 380-415 VAC / 50-60 Hz 5800-7100 W / 3 x 16 A | Water boiler pressure | 11.7 bar 169.6 psi |
| Connection / power UL | | 208 VAC / 60 Hz 5700 W / 27 A | Steam boiler pressure | 2.6 bar 37.7 psi |
| Outlet height | 85-172 mm (manual) / 96-192 mm (automatic) 3.34-6.77 in (manual) / 3.77-7.55 in (automatic) | | Chlorine TDS | None |
| Weight | 100.73 kg / 222.07 lbs | | Total hardness | 5-8 °dH / 8-14 °fH |
| | | | pH | 6.8-7.4 |
| | | | Alkalinity | <100 ppm |
| | | | Iron | <0.25 ppm |